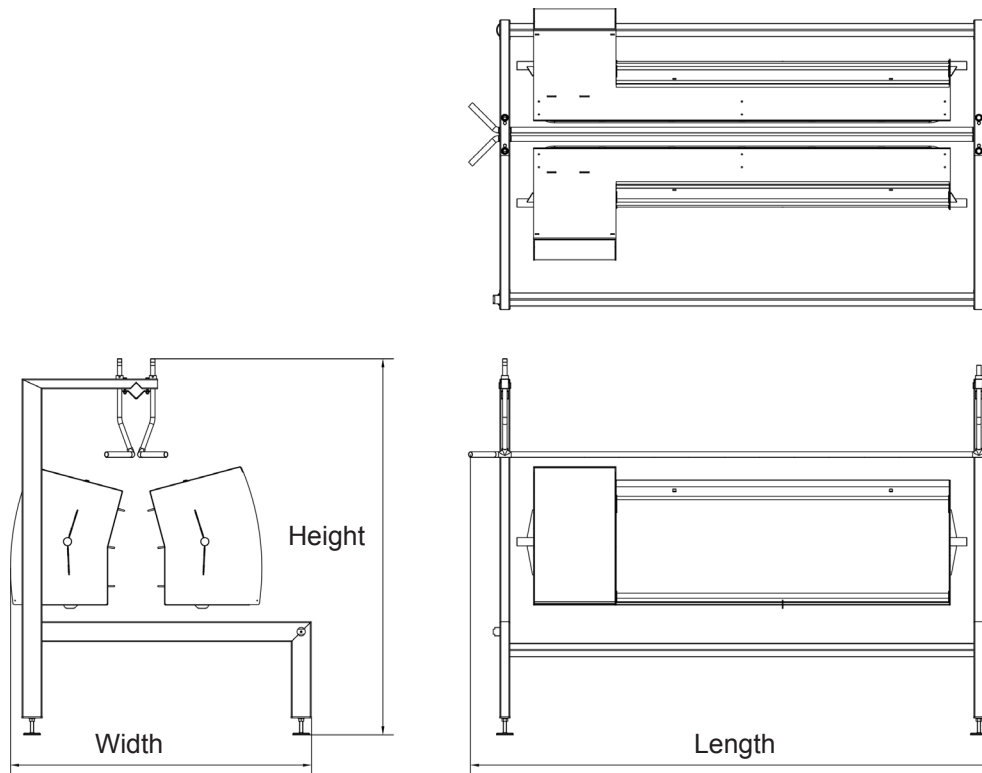


Defeathering Machine



Technical data

Model		PCK32	PCK40	PCK64
Article code		024.001	024.0002	024.0003
Plucking discs		32	40	64
Fingers per disc		10	10	10
Total number of fingers		320	400	640
Effective plucking length	mm	1600	2000	3200
Capacity (soft scald)	birds per hour	1000	1200	2400
Capacity (hard scald)	birds per hour	1500	2000	3600
Length	mm	2700	3120	4585
Width	mm	1805	1805	1805
Height	mm	2255	2255	2255
Weight	kg	1300	1450	1650
Number of motors		4	4	8
Installed power per motor	kW	3.0	3.0	3.0
Total installed power	kW	12.0	12.0	24.0
Water connection			1/2" BSP	
Water consumption	m3/h	0.3 - 0.5	0.45 - 2	0.6 - 3



DUTCH POULTRY TECHNOLOGY B.V.

Hillegom, The Netherlands

www.dutch-poultry-tech.com

This information corresponds to the most recent available information at the time of publication. The construction, composition and execution of the product are subject to future modification, without notice. All given figures are indicative estimates. No rights can be derived from this publication.

Defeathering Machine



Key Benefits

- The defeathering machine is designed to remove feathers from poultry carcasses
- The machine consists of two plucking cabinets which contain V-belt-driven stainless steel rotating discs holding rubber picking fingers
- The picking fingers rub the feathers off the carcass
- Various plucker models are available to accommodate for desired capacity per hour
- Each plucker has two plucker cabinets with two rows of plucking discs
- Each cabinet can be opened for easy cleaning and maintenance
- Easy height and width adjustment
- Prefab configurations available with integrated head puller
- Made out of stainless steel and other non-corrosive materials



DUTCH POULTRY TECHNOLOGY B.V.

Hillegom, The Netherlands

www.dutch-poultry-tech.com

This information corresponds to the most recent available information at the time of publication. The construction, composition and execution of the product are subject to future modification, without notice. All given figures are indicative estimates. No rights can be derived from this publication.